



RFP 012015

TSTC – Ducting for Dust Collection System

Addendum #1

Posted Date: 01-30-15

Clarifications

The purpose for this addendum is to provide clarifications and revisions to RFP 012015

- RFI deadline will be Tuesday, February 3, 2015, 2 pm.
- Mechanical Plan Note 1 on Sheet M-1 can be disregarded. This portion of the work is not covered in the RFP.
- All spiral duct drops shall be 6' A.F.F.
- See attached for floor sweep detail.
- See attached for technical data on the existing dust collection system to be relocated by others.

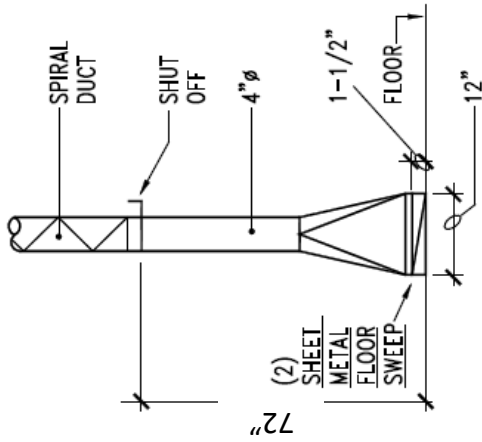
Please sign and date below and attach addendum to the bid package submitted.

I, by signing below acknowledge receipt of the posted addenda, and understand that it becomes part of the bid package for submission.

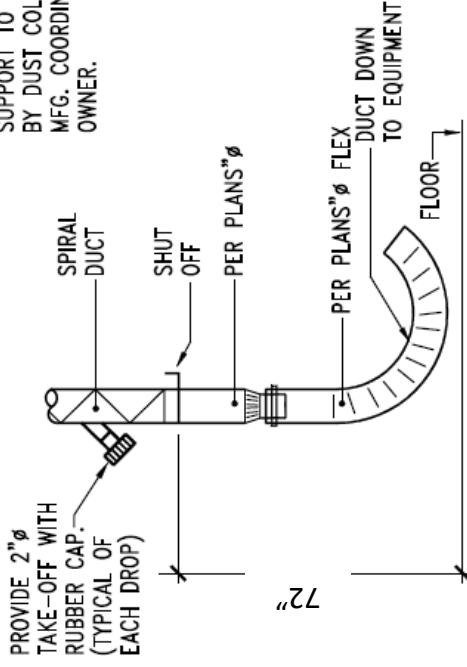
Signature: _____

Date: _____

HOPPER DUMP MUST BE HIGH ENOUGH AND WIDE ENOUGH TO BACK PICKUP TRUCK BED UNDER IT.



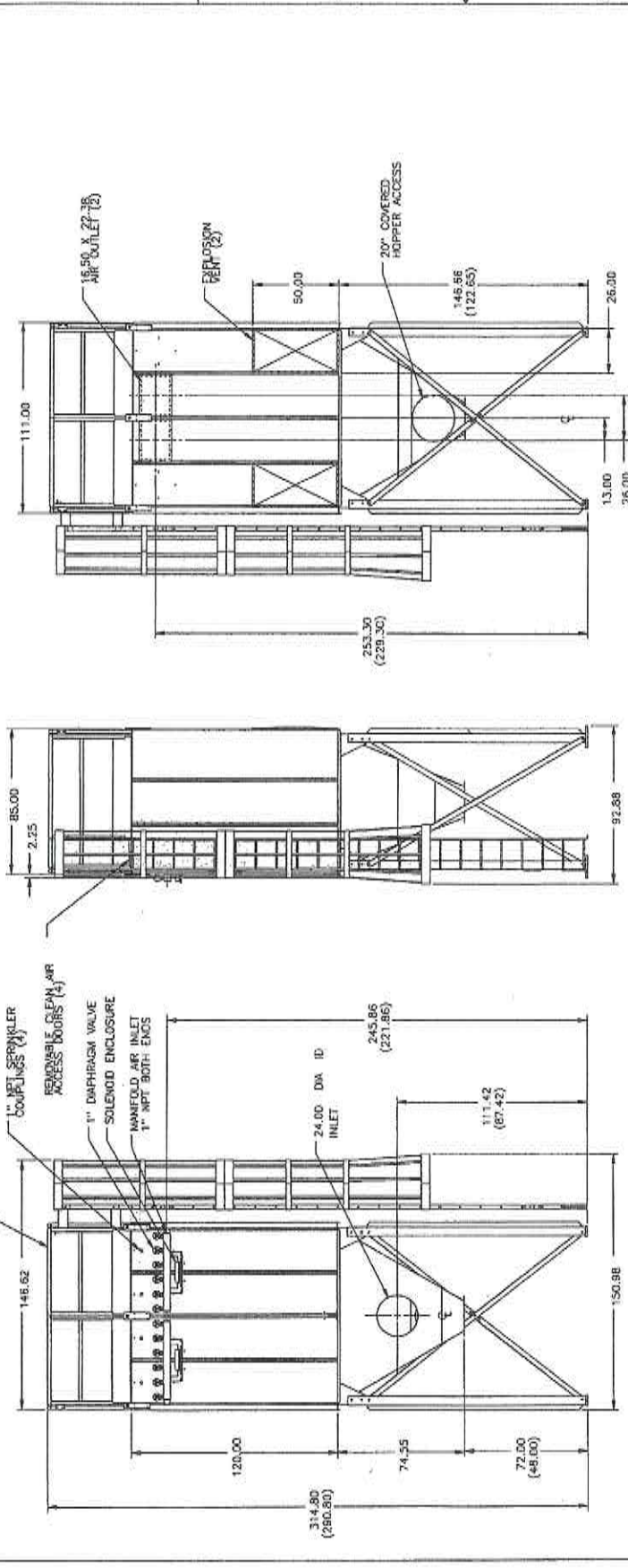
SUBMIT SHOP DRAWING FOR DETAILED DUST COLLECTOR SUPPORT. SUPPORT TO BE SUPPLIED BY DUST COLLECTOR MFG. COORDINATE WITH OWNER.



DETAILS FOR DUST COLLECTOR

4 N.T.S.

NO.	DATE	DESCRIPTION	APPROVED DATE
1		ISSUED FOR CONSTRUCTION	
2		ISSUED FOR REPORT	JUL 21, 2024
		20250613.2	



- NOTES:**
- USE SPREADER BARS TO LIFT COLLECTOR HOUSINGS OR ASSEMBLED COLLECTOR. CLEVIS CONNECTORS NOT HOOKS. MUST BE USED ON LIFTING SLINGS. ALL COLLECTOR LIFT EYES MUST BE USED WHEN LIFTING THE COLLECTOR OR ASSEMBLED COLLECTOR.
 - DIMENSIONS IN () PERTAIN TO 48" CLEARANCE
 - SEE SHEET 2 FOR HOPPER FLANGE/ANCHOR BOLT PLAN AND OUTLET DETAILS.
 - DO NOT INSTALL OR OPERATE THIS EQUIPMENT UNTIL HAVING READ AND UNDERSTOOD THE INSTRUCTIONS AND WARNINGS IN THE INSTALLATION AND OPERATION MANUAL. FOR A REPLACEMENT MANUAL CONTACT DODDARDSON COMPANY INC. (800) 365-1331
- EXPLOSION VENT (OPTIONAL)**
 SAFETY: 378 SPT/INCH/3/8" SPT
 NOMINAL BURST PRESSURE: 1.6 PSIG @ 100 P STAT: 0.11 BAR

SPECIFICATIONS FOR 108MB18

NO. OF FILTER BAGS: 108
 FILTER BAG TYPE: 108 MB18
 FILTER BAG LENGTH: 138.00 FT
 FILTER BAG WIDTH: 36.00 FT
 FILTER MEDIA: DURA-LIFE
 NO. OF VALVES: 12
 WIND LOAD RATINGS: 80 MPH, EXPOSURE C PER IBC 2003
 SEISMIC RATING: SPEC CLASS 0 PER IBC 2003
 HOUSING RATING: 2.00" H₂O
 P. RES: 0.34 BAR
 COMPRESSION AIR REQUIRED: 90-100 CFM @ 7.5 BAR
 REMOTE MOUNTED TIMER: 120 HZ @ 50-60 HZ NEMA 4
 CONSTRUCTION: 12 GA. MILD STEEL
 FINISH: BLUE
 OPERATING TEMPERATURE: 50-150 °F
 APPROXIMATE WEIGHT: 7500 LBS (72" NON-VENTED & VENTED)

DATE	REV.	DESCRIPTION
AUG 17, 2024	1	ISSUED FOR CONSTRUCTION
AUG 17, 2024	2	ISSUED FOR REPORT
AUG 17, 2024	3	ISSUED FOR CONSTRUCTION
AUG 17, 2024	4	ISSUED FOR REPORT
AUG 17, 2024	5	ISSUED FOR CONSTRUCTION
AUG 17, 2024	6	ISSUED FOR REPORT
AUG 17, 2024	7	ISSUED FOR CONSTRUCTION
AUG 17, 2024	8	ISSUED FOR REPORT
AUG 17, 2024	9	ISSUED FOR CONSTRUCTION
AUG 17, 2024	10	ISSUED FOR REPORT
AUG 17, 2024	11	ISSUED FOR CONSTRUCTION
AUG 17, 2024	12	ISSUED FOR REPORT
AUG 17, 2024	13	ISSUED FOR CONSTRUCTION
AUG 17, 2024	14	ISSUED FOR REPORT
AUG 17, 2024	15	ISSUED FOR CONSTRUCTION
AUG 17, 2024	16	ISSUED FOR REPORT
AUG 17, 2024	17	ISSUED FOR CONSTRUCTION
AUG 17, 2024	18	ISSUED FOR REPORT
AUG 17, 2024	19	ISSUED FOR CONSTRUCTION
AUG 17, 2024	20	ISSUED FOR REPORT
AUG 17, 2024	21	ISSUED FOR CONSTRUCTION
AUG 17, 2024	22	ISSUED FOR REPORT
AUG 17, 2024	23	ISSUED FOR CONSTRUCTION
AUG 17, 2024	24	ISSUED FOR REPORT
AUG 17, 2024	25	ISSUED FOR CONSTRUCTION
AUG 17, 2024	26	ISSUED FOR REPORT
AUG 17, 2024	27	ISSUED FOR CONSTRUCTION
AUG 17, 2024	28	ISSUED FOR REPORT
AUG 17, 2024	29	ISSUED FOR CONSTRUCTION
AUG 17, 2024	30	ISSUED FOR REPORT
AUG 17, 2024	31	ISSUED FOR CONSTRUCTION
AUG 17, 2024	32	ISSUED FOR REPORT
AUG 17, 2024	33	ISSUED FOR CONSTRUCTION
AUG 17, 2024	34	ISSUED FOR REPORT
AUG 17, 2024	35	ISSUED FOR CONSTRUCTION
AUG 17, 2024	36	ISSUED FOR REPORT
AUG 17, 2024	37	ISSUED FOR CONSTRUCTION
AUG 17, 2024	38	ISSUED FOR REPORT
AUG 17, 2024	39	ISSUED FOR CONSTRUCTION
AUG 17, 2024	40	ISSUED FOR REPORT
AUG 17, 2024	41	ISSUED FOR CONSTRUCTION
AUG 17, 2024	42	ISSUED FOR REPORT
AUG 17, 2024	43	ISSUED FOR CONSTRUCTION
AUG 17, 2024	44	ISSUED FOR REPORT
AUG 17, 2024	45	ISSUED FOR CONSTRUCTION
AUG 17, 2024	46	ISSUED FOR REPORT
AUG 17, 2024	47	ISSUED FOR CONSTRUCTION
AUG 17, 2024	48	ISSUED FOR REPORT
AUG 17, 2024	49	ISSUED FOR CONSTRUCTION
AUG 17, 2024	50	ISSUED FOR REPORT
AUG 17, 2024	51	ISSUED FOR CONSTRUCTION
AUG 17, 2024	52	ISSUED FOR REPORT
AUG 17, 2024	53	ISSUED FOR CONSTRUCTION
AUG 17, 2024	54	ISSUED FOR REPORT
AUG 17, 2024	55	ISSUED FOR CONSTRUCTION
AUG 17, 2024	56	ISSUED FOR REPORT
AUG 17, 2024	57	ISSUED FOR CONSTRUCTION
AUG 17, 2024	58	ISSUED FOR REPORT
AUG 17, 2024	59	ISSUED FOR CONSTRUCTION
AUG 17, 2024	60	ISSUED FOR REPORT
AUG 17, 2024	61	ISSUED FOR CONSTRUCTION
AUG 17, 2024	62	ISSUED FOR REPORT
AUG 17, 2024	63	ISSUED FOR CONSTRUCTION
AUG 17, 2024	64	ISSUED FOR REPORT
AUG 17, 2024	65	ISSUED FOR CONSTRUCTION
AUG 17, 2024	66	ISSUED FOR REPORT
AUG 17, 2024	67	ISSUED FOR CONSTRUCTION
AUG 17, 2024	68	ISSUED FOR REPORT
AUG 17, 2024	69	ISSUED FOR CONSTRUCTION
AUG 17, 2024	70	ISSUED FOR REPORT
AUG 17, 2024	71	ISSUED FOR CONSTRUCTION
AUG 17, 2024	72	ISSUED FOR REPORT
AUG 17, 2024	73	ISSUED FOR CONSTRUCTION
AUG 17, 2024	74	ISSUED FOR REPORT
AUG 17, 2024	75	ISSUED FOR CONSTRUCTION
AUG 17, 2024	76	ISSUED FOR REPORT
AUG 17, 2024	77	ISSUED FOR CONSTRUCTION
AUG 17, 2024	78	ISSUED FOR REPORT
AUG 17, 2024	79	ISSUED FOR CONSTRUCTION
AUG 17, 2024	80	ISSUED FOR REPORT
AUG 17, 2024	81	ISSUED FOR CONSTRUCTION
AUG 17, 2024	82	ISSUED FOR REPORT
AUG 17, 2024	83	ISSUED FOR CONSTRUCTION
AUG 17, 2024	84	ISSUED FOR REPORT
AUG 17, 2024	85	ISSUED FOR CONSTRUCTION
AUG 17, 2024	86	ISSUED FOR REPORT
AUG 17, 2024	87	ISSUED FOR CONSTRUCTION
AUG 17, 2024	88	ISSUED FOR REPORT
AUG 17, 2024	89	ISSUED FOR CONSTRUCTION
AUG 17, 2024	90	ISSUED FOR REPORT
AUG 17, 2024	91	ISSUED FOR CONSTRUCTION
AUG 17, 2024	92	ISSUED FOR REPORT
AUG 17, 2024	93	ISSUED FOR CONSTRUCTION
AUG 17, 2024	94	ISSUED FOR REPORT
AUG 17, 2024	95	ISSUED FOR CONSTRUCTION
AUG 17, 2024	96	ISSUED FOR REPORT
AUG 17, 2024	97	ISSUED FOR CONSTRUCTION
AUG 17, 2024	98	ISSUED FOR REPORT
AUG 17, 2024	99	ISSUED FOR CONSTRUCTION
AUG 17, 2024	100	ISSUED FOR REPORT

TORIT MODULAR BAGHOUSE TOP

THIS PRINT IS NOT CERTIFIED FOR CONSTRUCTION PURPOSES. THIS DOCUMENT IS SUBJECT TO CHANGE WITHOUT NOTICE.

DATE: AUG 17, 2024
 REV: 1
 DESCRIPTION: TORIT MODULAR BAGHOUSE TOP

DATE: AUG 17, 2024
 REV: 2
 DESCRIPTION: TORIT MODULAR BAGHOUSE TOP

DATE: AUG 17, 2024
 REV: 3
 DESCRIPTION: TORIT MODULAR BAGHOUSE TOP

DATE: AUG 17, 2024
 REV: 4
 DESCRIPTION: TORIT MODULAR BAGHOUSE TOP

DATE: AUG 17, 2024
 REV: 5
 DESCRIPTION: TORIT MODULAR BAGHOUSE TOP

DATE: AUG 17, 2024
 REV: 6
 DESCRIPTION: TORIT MODULAR BAGHOUSE TOP

DATE: AUG 17, 2024
 REV: 7
 DESCRIPTION: TORIT MODULAR BAGHOUSE TOP

DATE: AUG 17, 2024
 REV: 8
 DESCRIPTION: TORIT MODULAR BAGHOUSE TOP

DATE: AUG 17, 2024
 REV: 9
 DESCRIPTION: TORIT MODULAR BAGHOUSE TOP

DATE: AUG 17, 2024
 REV: 10
 DESCRIPTION: TORIT MODULAR BAGHOUSE TOP

DATE: AUG 17, 2024
 REV: 11
 DESCRIPTION: TORIT MODULAR BAGHOUSE TOP

DATE: AUG 17, 2024
 REV: 12
 DESCRIPTION: TORIT MODULAR BAGHOUSE TOP

DATE: AUG 17, 2024
 REV: 13
 DESCRIPTION: TORIT MODULAR BAGHOUSE TOP

DATE: AUG 17, 2024
 REV: 14
 DESCRIPTION: TORIT MODULAR BAGHOUSE TOP

DATE: AUG 17, 2024
 REV: 15
 DESCRIPTION: TORIT MODULAR BAGHOUSE TOP

DATE: AUG 17, 2024
 REV: 16
 DESCRIPTION: TORIT MODULAR BAGHOUSE TOP

DATE: AUG 17, 2024
 REV: 17
 DESCRIPTION: TORIT MODULAR BAGHOUSE TOP

DATE: AUG 17, 2024
 REV: 18
 DESCRIPTION: TORIT MODULAR BAGHOUSE TOP

DATE: AUG 17, 2024
 REV: 19
 DESCRIPTION: TORIT MODULAR BAGHOUSE TOP

DATE: AUG 17, 2024
 REV: 20
 DESCRIPTION: TORIT MODULAR BAGHOUSE TOP

DATE: AUG 17, 2024
 REV: 21
 DESCRIPTION: TORIT MODULAR BAGHOUSE TOP

DATE: AUG 17, 2024
 REV: 22
 DESCRIPTION: TORIT MODULAR BAGHOUSE TOP

DATE: AUG 17, 2024
 REV: 23
 DESCRIPTION: TORIT MODULAR BAGHOUSE TOP

DATE: AUG 17, 2024
 REV: 24
 DESCRIPTION: TORIT MODULAR BAGHOUSE TOP

DATE: AUG 17, 2024
 REV: 25
 DESCRIPTION: TORIT MODULAR BAGHOUSE TOP

DATE: AUG 17, 2024
 REV: 26
 DESCRIPTION: TORIT MODULAR BAGHOUSE TOP

DATE: AUG 17, 2024
 REV: 27
 DESCRIPTION: TORIT MODULAR BAGHOUSE TOP

DATE: AUG 17, 2024
 REV: 28
 DESCRIPTION: TORIT MODULAR BAGHOUSE TOP

DATE: AUG 17, 2024
 REV: 29
 DESCRIPTION: TORIT MODULAR BAGHOUSE TOP

DATE: AUG 17, 2024
 REV: 30
 DESCRIPTION: TORIT MODULAR BAGHOUSE TOP

DATE: AUG 17, 2024
 REV: 31
 DESCRIPTION: TORIT MODULAR BAGHOUSE TOP

DATE: AUG 17, 2024
 REV: 32
 DESCRIPTION: TORIT MODULAR BAGHOUSE TOP

DATE: AUG 17, 2024
 REV: 33
 DESCRIPTION: TORIT MODULAR BAGHOUSE TOP

DATE: AUG 17, 2024
 REV: 34
 DESCRIPTION: TORIT MODULAR BAGHOUSE TOP

DATE: AUG 17, 2024
 REV: 35
 DESCRIPTION: TORIT MODULAR BAGHOUSE TOP

DATE: AUG 17, 2024
 REV: 36
 DESCRIPTION: TORIT MODULAR BAGHOUSE TOP

DATE: AUG 17, 2024
 REV: 37
 DESCRIPTION: TORIT MODULAR BAGHOUSE TOP

DATE: AUG 17, 2024
 REV: 38
 DESCRIPTION: TORIT MODULAR BAGHOUSE TOP

DATE: AUG 17, 2024
 REV: 39
 DESCRIPTION: TORIT MODULAR BAGHOUSE TOP

DATE: AUG 17, 2024
 REV: 40
 DESCRIPTION: TORIT MODULAR BAGHOUSE TOP

DATE: AUG 17, 2024
 REV: 41
 DESCRIPTION: TORIT MODULAR BAGHOUSE TOP

DATE: AUG 17, 2024
 REV: 42
 DESCRIPTION: TORIT MODULAR BAGHOUSE TOP

DATE: AUG 17, 2024
 REV: 43
 DESCRIPTION: TORIT MODULAR BAGHOUSE TOP

DATE: AUG 17, 2024
 REV: 44
 DESCRIPTION: TORIT MODULAR BAGHOUSE TOP

DATE: AUG 17, 2024
 REV: 45
 DESCRIPTION: TORIT MODULAR BAGHOUSE TOP

DATE: AUG 17, 2024
 REV: 46
 DESCRIPTION: TORIT MODULAR BAGHOUSE TOP

DATE: AUG 17, 2024
 REV: 47
 DESCRIPTION: TORIT MODULAR BAGHOUSE TOP

DATE: AUG 17, 2024
 REV: 48
 DESCRIPTION: TORIT MODULAR BAGHOUSE TOP

DATE: AUG 17, 2024
 REV: 49
 DESCRIPTION: TORIT MODULAR BAGHOUSE TOP

DATE: AUG 17, 2024
 REV: 50
 DESCRIPTION: TORIT MODULAR BAGHOUSE TOP

DATE: AUG 17, 2024
 REV: 51
 DESCRIPTION: TORIT MODULAR BAGHOUSE TOP

DATE: AUG 17, 2024
 REV: 52
 DESCRIPTION: TORIT MODULAR BAGHOUSE TOP

DATE: AUG 17, 2024
 REV: 53
 DESCRIPTION: TORIT MODULAR BAGHOUSE TOP

DATE: AUG 17, 2024
 REV: 54
 DESCRIPTION: TORIT MODULAR BAGHOUSE TOP

DATE: AUG 17, 2024
 REV: 55
 DESCRIPTION: TORIT MODULAR BAGHOUSE TOP

DATE: AUG 17, 2024
 REV: 56
 DESCRIPTION: TORIT MODULAR BAGHOUSE TOP

DATE: AUG 17, 2024
 REV: 57
 DESCRIPTION: TORIT MODULAR BAGHOUSE TOP

DATE: AUG 17, 2024
 REV: 58
 DESCRIPTION: TORIT MODULAR BAGHOUSE TOP

DATE: AUG 17, 2024
 REV: 59
 DESCRIPTION: TORIT MODULAR BAGHOUSE TOP

DATE: AUG 17, 2024
 REV: 60
 DESCRIPTION: TORIT MODULAR BAGHOUSE TOP

DATE: AUG 17, 2024
 REV: 61
 DESCRIPTION: TORIT MODULAR BAGHOUSE TOP

DATE: AUG 17, 2024
 REV: 62
 DESCRIPTION: TORIT MODULAR BAGHOUSE TOP

DATE: AUG 17, 2024
 REV: 63
 DESCRIPTION: TORIT MODULAR BAGHOUSE TOP

DATE: AUG 17, 2024
 REV: 64
 DESCRIPTION: TORIT MODULAR BAGHOUSE TOP

DATE: AUG 17, 2024
 REV: 65
 DESCRIPTION: TORIT MODULAR BAGHOUSE TOP

DATE: AUG 17, 2024
 REV: 66
 DESCRIPTION: TORIT MODULAR BAGHOUSE TOP

DATE: AUG 17, 2024
 REV: 67
 DESCRIPTION: TORIT MODULAR BAGHOUSE TOP

DATE: AUG 17, 2024
 REV: 68
 DESCRIPTION: TORIT MODULAR BAGHOUSE TOP

DATE: AUG 17, 2024
 REV: 69
 DESCRIPTION: TORIT MODULAR BAGHOUSE TOP

DATE: AUG 17, 2024
 REV: 70
 DESCRIPTION: TORIT MODULAR BAGHOUSE TOP

DATE: AUG 17, 2024
 REV: 71
 DESCRIPTION: TORIT MODULAR BAGHOUSE TOP

DATE: AUG 17, 2024
 REV: 72
 DESCRIPTION: TORIT MODULAR BAGHOUSE TOP

DATE: AUG 17, 2024
 REV: 73
 DESCRIPTION: TORIT MODULAR BAGHOUSE TOP

DATE: AUG 17, 2024
 REV: 74
 DESCRIPTION: TORIT MODULAR BAGHOUSE TOP

DATE: AUG 17, 2024
 REV: 75
 DESCRIPTION: TORIT MODULAR BAGHOUSE TOP

DATE: AUG 17, 2024
 REV: 76
 DESCRIPTION: TORIT MODULAR BAGHOUSE TOP

DATE: AUG 17, 2024
 REV: 77
 DESCRIPTION: TORIT MODULAR BAGHOUSE TOP

DATE: AUG 17, 2024
 REV: 78
 DESCRIPTION: TORIT MODULAR BAGHOUSE TOP

DATE: AUG 17, 2024
 REV: 79
 DESCRIPTION: TORIT MODULAR BAGHOUSE TOP

DATE: AUG 17, 2024
 REV: 80
 DESCRIPTION: TORIT MODULAR BAGHOUSE TOP

DATE: AUG 17, 2024
 REV: 81
 DESCRIPTION: TORIT MODULAR BAGHOUSE TOP

DATE: AUG 17, 2024
 REV: 82
 DESCRIPTION: TORIT MODULAR BAGHOUSE TOP

DATE: AUG 17, 2024
 REV: 83
 DESCRIPTION: TORIT MODULAR BAGHOUSE TOP

DATE: AUG 17, 2024
 REV: 84
 DESCRIPTION: TORIT MODULAR BAGHOUSE TOP

DATE: AUG 17, 2024
 REV: 85
 DESCRIPTION: TORIT MODULAR BAGHOUSE TOP

DATE: AUG 17, 2024
 REV: 86
 DESCRIPTION: TORIT MODULAR BAGHOUSE TOP

DATE: AUG 17, 2024
 REV: 87
 DESCRIPTION: TORIT MODULAR BAGHOUSE TOP

DATE: AUG 17, 2024
 REV: 88
 DESCRIPTION: TORIT MODULAR BAGHOUSE TOP

DATE: AUG 17, 2024
 REV: 89
 DESCRIPTION: TORIT MODULAR BAGHOUSE TOP

DATE: AUG 17, 2024
 REV: 90
 DESCRIPTION: TORIT MODULAR BAGHOUSE TOP

DATE: AUG 17, 2024
 REV: 91
 DESCRIPTION: TORIT MODULAR BAGHOUSE TOP

DATE: AUG 17, 2024
 REV: 92
 DESCRIPTION: TORIT MODULAR BAGHOUSE TOP

DATE: AUG 17, 2024
 REV: 93
 DESCRIPTION: TORIT MODULAR BAGHOUSE TOP

DATE: AUG 17, 2024
 REV: 94
 DESCRIPTION: TORIT MODULAR BAGHOUSE TOP

DATE: AUG 17, 2024
 REV: 95
 DESCRIPTION: TORIT MODULAR BAGHOUSE TOP

DATE: AUG 17, 2024
 REV: 96
 DESCRIPTION: TORIT MODULAR BAGHOUSE TOP

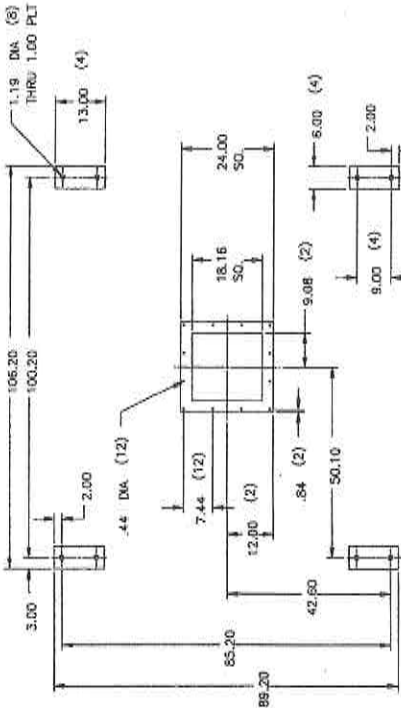
DATE: AUG 17, 2024
 REV: 97
 DESCRIPTION: TORIT MODULAR BAGHOUSE TOP

DATE: AUG 17, 2024
 REV: 98
 DESCRIPTION: TORIT MODULAR BAGHOUSE TOP

DATE: AUG 17, 2024
 REV: 99
 DESCRIPTION: TORIT MODULAR BAGHOUSE TOP

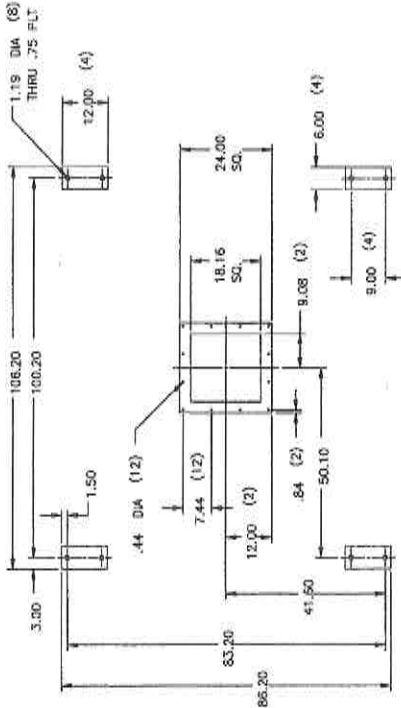
DATE: AUG 17, 2024
 REV: 100
 DESCRIPTION: TORIT MODULAR BAGHOUSE TOP

THIS DRAWING CONFORMS NORMALLY TO THE REQUIREMENTS OF THE INTERNATIONAL STANDARD FOR CONCRETE REINFORCING BARS, AND TO THE REQUIREMENTS OF THE INTERNATIONAL STANDARD FOR CONCRETE REINFORCING BARS, AND TO THE REQUIREMENTS OF THE INTERNATIONAL STANDARD FOR CONCRETE REINFORCING BARS.



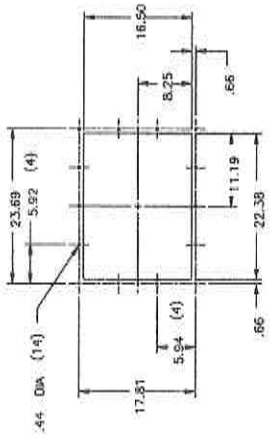
HOPPER FLANGE/ANCHOR BOLT PLAN 72" LEG PACK

NOTE: LEG ANCHOR BOLTS 2 PER LEG TO BE BULL-SS. 1" DIA. HAS ADHESIVE SUPER ANCHORS WITH 8-1/4" MIN. EMBEDMENT IN 4" BS (MAX) CONCRETE. EXPANSION TYPE ANCHORS WILL PULL OUT AT DESIGN LOADS.



HOPPER FLANGE/ANCHOR BOLT PLAN 48" LEG PACK

NOTE: LEG ANCHOR BOLTS 2 PER LEG TO BE BULL-SS. 1" DIA. HAS ADHESIVE SUPER ANCHORS WITH 8-1/4" MIN. EMBEDMENT IN 4" BS (MAX) CONCRETE. EXPANSION TYPE ANCHORS WILL PULL OUT AT DESIGN LOADS.



16.50 X 22.38 AIR OUTLET DETAIL (2)

REV	DATE	DESCRIPTION
4	02/20/2004	DESIGN REVISION
SEE SHEET 1		
2004061137		

PROJECT	TRAMER DUST COLLECTOR
DATE	17, 2004
DESIGNER	MBT AD34.32701
CHECKER	16/7/00
DATE	17, 2004
SCALE	AS SHOWN
PROJECT NO.	16/7/00
DATE	17, 2004
SCALE	AS SHOWN
PROJECT NO.	16/7/00
DATE	17, 2004
SCALE	AS SHOWN
PROJECT NO.	16/7/00
DATE	17, 2004
SCALE	AS SHOWN
PROJECT NO.	16/7/00
DATE	17, 2004
SCALE	AS SHOWN
PROJECT NO.	16/7/00
DATE	17, 2004
SCALE	AS SHOWN
PROJECT NO.	16/7/00
DATE	17, 2004
SCALE	AS SHOWN

TORIT MODULAR BAGHOUSE TOP